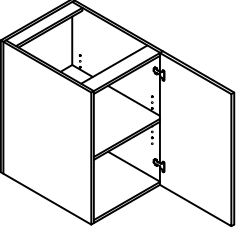
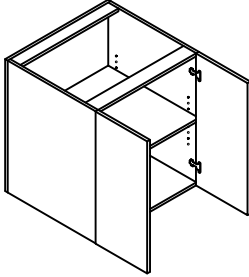
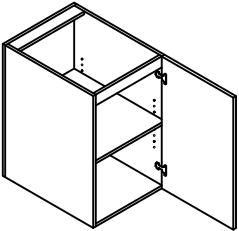


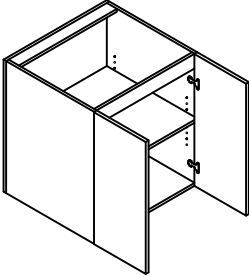
THE CUTTINGEDGE

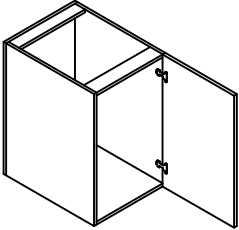
BASE CUPBOARDS

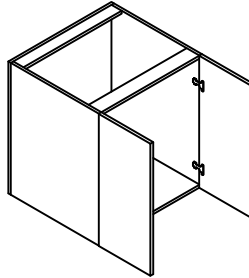
BASE 1 DOOR L/H OR R/H HINGE	CODE: B1R CODE: B1L
	<p>DETAIL:</p> <p>BASE CABINET 16MM CARCASS 1 DOOR 1 ADJ SHELF</p> <p>TO BE SPECIFIED:</p> <p>HEIGHT WIDTH DEPTH R/H OR L/H HINGE DOOR TYPE</p>

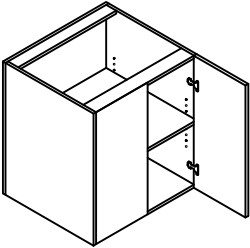
BASE 2 DOOR	CODE: B2
	<p>DETAIL:</p> <p>BASE CABINET 2 DOOR 16MM CARCASS 2 DOORS 1 ADJ SHELF</p> <p>TO BE SPECIFIED:</p> <p>HEIGHT WIDTH DEPTH DOOR TYPE</p>

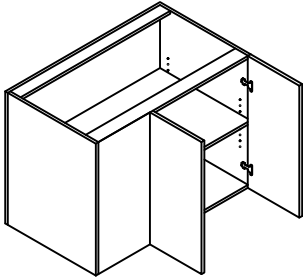
BASE 1 DOOR SINK L/H OR R/H HINGE	CODE: B1R-S CODE: B1L-S
	<p>DETAIL:</p> <p>BASE CABINET SINK UNIT 16MM CARCASS 1 DOOR 1 ADJ SHELF</p> <p>TO BE SPECIFIED:</p> <p>HEIGHT WIDTH DEPTH R/H OR L/H HINGE DOOR TYPE</p>

BASE 2 DOOR SINK	CODE: B2-S
	<p>DETAIL:</p> <p>BASE CABINET 2 DOOR SINK UNIT 16MM CARCASS 2 DOORS 1 ADJ SHELF</p> <p>TO BE SPECIFIED:</p> <p>HEIGHT WIDTH DEPTH DOOR TYPE</p>

BASE 1 DOOR NO SHELF	CODE: B1R-T CODE: B1L-T
	<p>DETAIL:</p> <p>BASE CABINET NO SHELF 16MM CARCASS 1 DOOR</p> <p>TO BE SPECIFIED:</p> <p>HEIGHT WIDTH DEPTH R/H OR L/H HINGE DOOR TYPE</p>

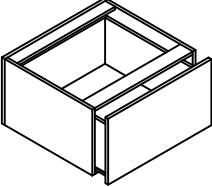
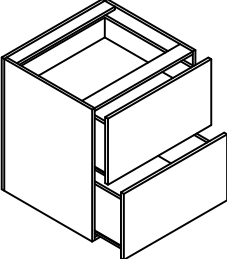
BASE 2 DOOR NO SHELF	CODE: B2-T
	<p>DETAIL:</p> <p>BASE CABINET 2 DOOR NO SHELF 16MM CARCASS 2 DOORS</p> <p>TO BE SPECIFIED:</p> <p>HEIGHT WIDTH DEPTH DOOR TYPE</p>

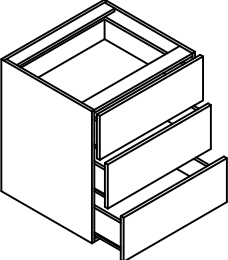
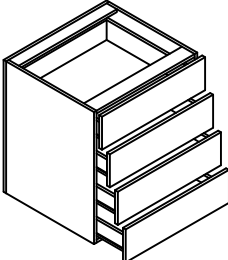
BASE BLIND CORNER 1 DOOR	CODE: BBL-1R CODE: BBL-1L
	<p>DETAIL:</p> <p>BASE CABINET BLIND CORNER 16MM CARCASS 1 DOOR 1 ADJ SHELF</p> <p>TO BE SPECIFIED:</p> <p>HEIGHT WIDTH DEPTH R/H OR L/H HINGE DOOR TYPE BLIND PANEL DIMENSION</p>

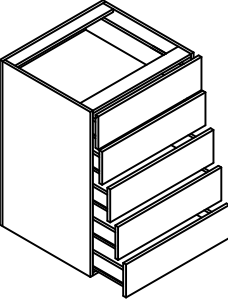
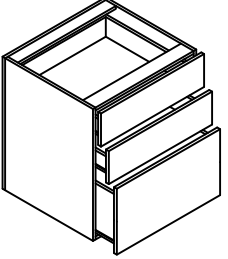
BASE 2 DOOR BLIND CORNER	CODE: BBL-2R CODE: BBL-2L
	<p>DETAIL:</p> <p>BASE CABINET 2 DOOR BLIND CORNER 16MM CARCASS 2 DOORS 1 ADJ SHELF</p> <p>TO BE SPECIFIED:</p> <p>HEIGHT WIDTH DEPTH DOOR TYPE BLIND PAEL SIDE & DIMENSION</p>

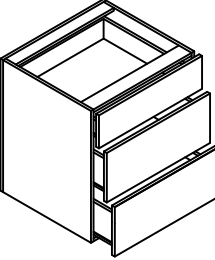
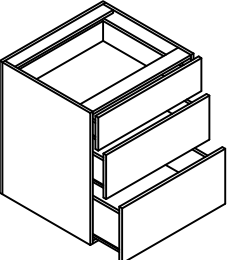
THE CUTTINGEDGE

BASE CUPBOARDS

BASE 1 DRAWER	CODE: BD-1	BASE 2 DRAWER BANK	CODE: BD-2
	<p>DETAIL:</p> <p>BASE 1 DRAWER 16MM CARCASS 1 DRAW</p> <p>TO BE SPECIFIED:</p> <p>HEIGHT WIDTH DEPTH DRAW TYPE RUNNER TYPE</p>		<p>DETAIL:</p> <p>BASE 2 DRAWER BANK 16MM CARCASS 2 DRAWERS</p> <p>TO BE SPECIFIED:</p> <p>HEIGHT WIDTH DEPTH DRAW TYPE RUNNER TYPE</p>

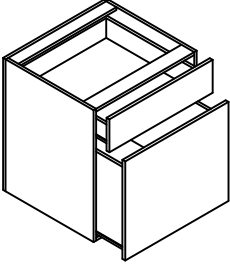
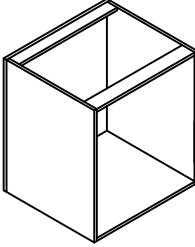
BASE 3 DRAWER BANK	CODE: BD-3	BASE 4 DRAWER BANK	CODE: BD-4
	<p>DETAIL:</p> <p>BASE 3 DRAWER BANK 16MM CARCASS 3 DRAWS</p> <p>TO BE SPECIFIED:</p> <p>HEIGHT WIDTH DEPTH DRAW TYPE RUNNER TYPE</p>		<p>DETAIL:</p> <p>BASE 4 DRAWER BANK 16MM CARCASS 4 DRAWS</p> <p>TO BE SPECIFIED:</p> <p>HEIGHT WIDTH DEPTH DRAW TYPE RUNNER TYPE</p>

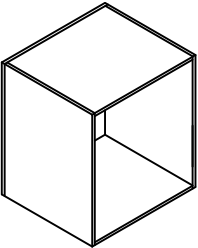
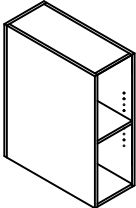
BASE 5 DRAWER BANK	CODE: BD-5	BASE 3 DRAWER BANK SSL	CODE: BD-3SSL
	<p>DETAIL:</p> <p>BASE 5 DRAWER BANK 16MM CARCASS 5 DRAWS</p> <p>TO BE SPECIFIED:</p> <p>HEIGHT WIDTH DEPTH DRAW TYPE RUNNER TYPE</p>		<p>DETAIL:</p> <p>BASE DRAWER BANK SSL 16MM CARCASS 3 DRAWS</p> <p>TO BE SPECIFIED:</p> <p>HEIGHT WIDTH DEPTH DRAW TYPE RUNNER TYPE</p>

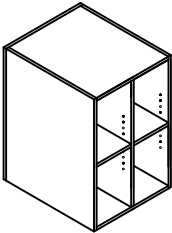
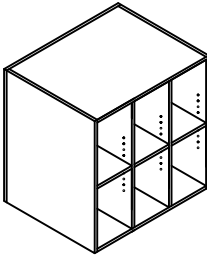
BASE 3 DRAWER BANK SLL	CODE: BD-3SLL	BASE 3 DRAWER BANK SML	CODE: BD3-SML
	<p>DETAIL:</p> <p>BASE 3 DRAWER BANK SLL 16MM CARCASS 3 DRAWS</p> <p>TO BE SPECIFIED:</p> <p>HEIGHT WIDTH DEPTH DRAW TYPE RUNNER TYPE</p>		<p>DETAIL:</p> <p>BASE 3 DRAWER BANKSML 16MM CARCASS 3 DRAWS</p> <p>TO BE SPECIFIED:</p> <p>HEIGHT WIDTH DEPTH DRAW TYPE RUNNER TYPE</p>

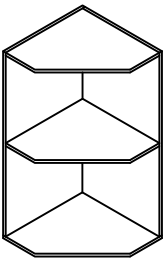
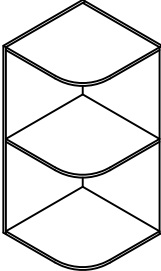
THE CUTTINGEDGE

BASE CUPBOARDS

BASE 2 DRAWER BANK S1L	CODE: BD1-S1L	BASE OPEN WITH RAIL	CODE: BO-R
	<p>DETAIL:</p> <p>BASE 2 DRAWER BANK S1L 16MM CARCASS 2 DRAWERS</p> <p>TO BE SPECIFIED:</p> <p>HEIGHT WIDTH DEPTH DRAW TYPE RUNNER TYPE</p>		<p>DETAIL:</p> <p>BASE OPEN WITH RAIL 16MM OR 18MM CARCASS</p> <p>TO BE SPECIFIED:</p> <p>HEIGHT WIDTH DEPTH CARCASS SIZE</p>

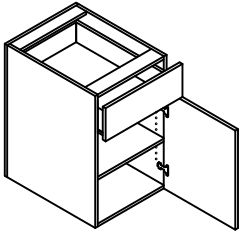
BASE OPEN	CODE: BO	BASE OPEN 1 SHELF	CODE: BO-1
	<p>DETAIL:</p> <p>BASE OPEN 16MM OR 18MM CARCASS</p> <p>TO BE SPECIFIED:</p> <p>HEIGHT WIDTH DEPTH CARCASS SIZE</p>		<p>DETAIL:</p> <p>BASE OPEN 1 SHELF 16MM OR 18MM CARCASS 1 ADJ SHELF</p> <p>TO BE SPECIFIED:</p> <p>HEIGHT WIDTH DEPTH CARCASS SIZE</p>

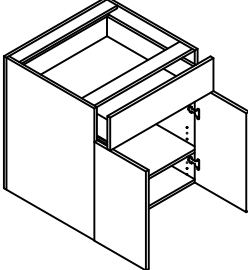
BASE OPEN 1 DIVIDER	CODE: BO-1-1	BASE OPEN 2 DIVIDER	CODE: BO-2-1
	<p>DETAIL:</p> <p>BASE OPEN 1 DIVIDER 16MM OR 18MM CARCASS 2 ADJ SHELVES</p> <p>TO BE SPECIFIED:</p> <p>HEIGHT WIDTH DEPTH CARCASS SIZE</p>		<p>DETAIL:</p> <p>BASE OPEN 2 DIVIDER 16MM OR 18MM CARCASS 3 ADJ SHELVES</p> <p>TO BE SPECIFIED:</p> <p>HEIGHT WIDTH DEPTH CARCASS SIZE</p>

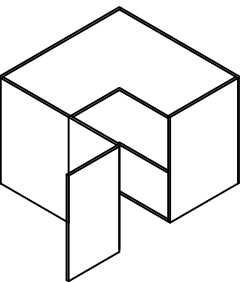
BASE ANGLE CORNER	CODE: BAC	BASE RADIUS CORNER	CODE: BRC
	<p>DETAIL:</p> <p>BASE ANGLE CORNER 16MM OR 18MM CARCASS 1 ADJ SHELF</p> <p>TO BE SPECIFIED:</p> <p>HEIGHT WIDTH DEPTH ANGLE LENGTH CARCASS SIZE</p>		<p>DETAIL:</p> <p>BASE RADIUS CORNER 16MM OR 18MM CARCASS 1 SHELF</p> <p>TO BE SPECIFIED:</p> <p>HEIGHT WIDTH DEPTH CARCASS SIZE RADIUS</p>

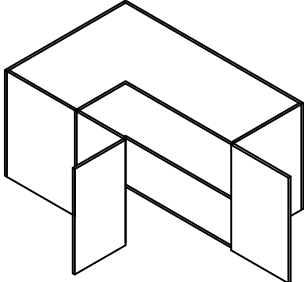
THE CUTTINGEDGE

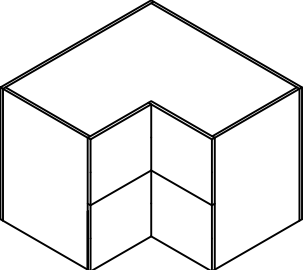
BASE CUPBOARDS

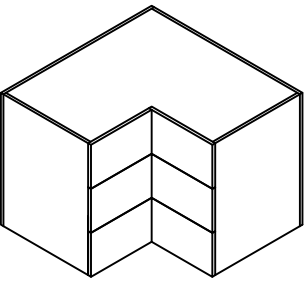
BASE 1 DRAW 1 DOOR L/H OR R/H HINGE	CODE: BD1-1R CODE: BD1-1L
	<p>DETAIL:</p> <p>BASE 1 DRAW 1 DOOR 16MM CARCASS 1 DRAW 1 DOOR 1 ADJ SHELF</p> <p>TO BE SPECIFIED:</p> <p>HEIGHT WIDTH DEPTH DOOR TYPE RUNNER TYPE L/H OR R/H HINGE</p>

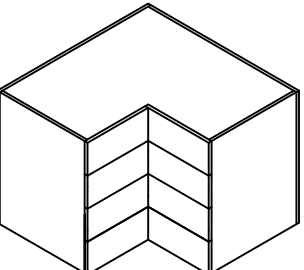
BASE 1 DRAW 2 DOOR	CODE: BD1-2
	<p>DETAIL:</p> <p>BASE 1 DRAW 2 DOOR 16MM CARCASS 1 DRAW 2 DOOR 1 ADJ SHELF</p> <p>TO BE SPECIFIED:</p> <p>HEIGHT WIDTH DEPTH DOOR TYPE RUNNER TYPE</p>

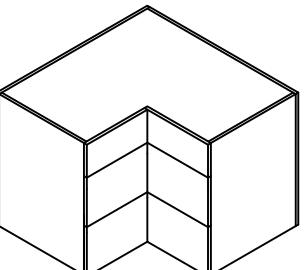
BASE CORNER L/H OR R/H HINGE	CODE: BC-2R CODE: BC-2L
	<p>DETAIL:</p> <p>BASE OPEN 16MM OR CARCASS 1 SHELF 2 DOORS</p> <p>TO BE SPECIFIED:</p> <p>HEIGHT WIDTH DEPTH DOOR TYPE L/H OR R/H HINGE</p>

BASE CORNER 3 DOOR	CODE: BC-3R CODE: BC-3L
	<p>DETAIL:</p> <p>BASE OPEN 16MM CARCASS 1 SHELF 3 DOORS</p> <p>TO BE SPECIFIED:</p> <p>HEIGHT WIDTH DEPTH DOOR TYPE 2 DOOR L/H OR R/H HINGE</p>

BASE CORNER 2 DRAW	CODE: BC-2D
	<p>DETAIL:</p> <p>BASE CORNER 2 DRAW 16MM CARCASS 2 DRAWS</p> <p>TO BE SPECIFIED:</p> <p>HEIGHT WIDTH DEPTH DRAW TYPE RUNNER TYPE</p>

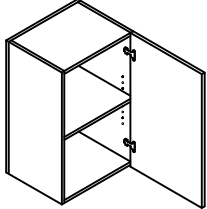
BASE CORNER 3 DRAW	CODE: BC-3D
	<p>DETAIL:</p> <p>BASE CORNER 3 DRAW 16MM CARCASS 3 DRAWS</p> <p>TO BE SPECIFIED:</p> <p>HEIGHT WIDTH DEPTH DRAW TYPE RUNNER TYPE</p>

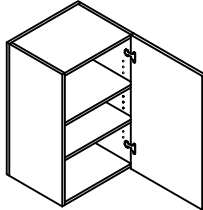
BASE CORNER 3 DRAW	CODE: BC-4D
	<p>DETAIL:</p> <p>BASE CORNER 4 DRAW 16MM CARCASS 4 DRAWS</p> <p>TO BE SPECIFIED:</p> <p>HEIGHT WIDTH DEPTH DRAW TYPE RUNNER TYPE</p>

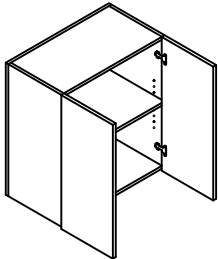
BASE RADIUS CORNER	CODE: BC-3DSSL
	<p>DETAIL:</p> <p>BASE CORNER 3 DRAW SLL 16MM CARCASS 3 DRAWS</p> <p>TO BE SPECIFIED:</p> <p>HEIGHT WIDTH DEPTH DRAW TYPE RUNNER TYPE</p>

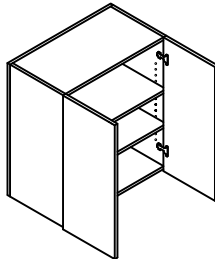
THE CUTTINGEDGE

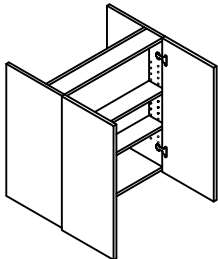
OVERHEAD CABINETS

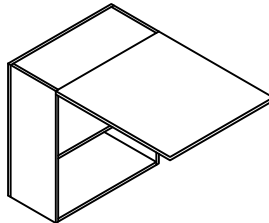
OVERHEAD 1 DOOR L/H OR R/H HINGE	CODE: W1R CODE: W1L
	<p>DETAIL:</p> <p>OVERHEAD 1 DOOR 16MM CARCASS 1 DOOR 1 ADJ SHELF</p> <p>TO BE SPECIFIED:</p> <p>HEIGHT WIDTH DEPTH R/H OR L/H HINGE DOOR TYPE</p>

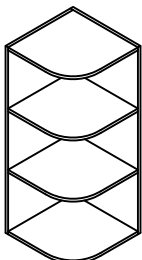
OVERHEAD 1 DOOR 2 ADJ SHELVES L/H OR R/H HINGE	CODE: W1R-2 CODE: W1L-2
	<p>DETAIL:</p> <p>OVERHEAD 1 DOOR 16MM CARCASS 1 DOOR 2 ADJ SHELF</p> <p>TO BE SPECIFIED:</p> <p>HEIGHT WIDTH DEPTH R/H OR L/H HINGE DOOR TYPE</p>

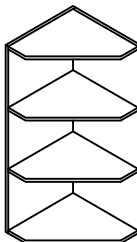
OVERHEAD 2 DOOR	CODE: W2
	<p>DETAIL:</p> <p>OVERHEAD 1 DOOR 16MM CARCASS 2 DOORS 1 ADJ SHELF</p> <p>TO BE SPECIFIED:</p> <p>HEIGHT WIDTH DEPTH DOOR TYPE</p>

OVERHEAD 2 DOOR 2 ADJ SHELVES	CODE: W2-2
	<p>DETAIL:</p> <p>OVERHEAD 2 DOOR 16MM CARCASS 2 DOORS 2 ADJ SHELF</p> <p>TO BE SPECIFIED:</p> <p>HEIGHT WIDTH DEPTH DOOR TYPE</p>

RANGEHOOD	CODE: WRH-2
	<p>DETAIL:</p> <p>RANGEHOOD CUPBOARD 16MM CARCASS 2 DOORS 2 SHELVES</p> <p>TO BE SPECIFIED:</p> <p>HEIGHT WIDTH DEPTH DOOR TYPE</p>

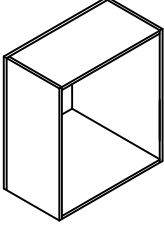
OVERHEAD TOP HINGE	CODE: W1
	<p>DETAIL:</p> <p>OVERHEAD TOP HINGE 16MM CARCASS 1 DOORS 1 SHELF</p> <p>TO BE SPECIFIED:</p> <p>HEIGHT WIDTH DEPTH DOOR TYPE HINGE TYPE</p>

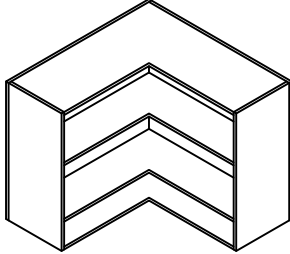
OVERHEAD RADIUS CORNER	CODE: OHRC
	<p>DETAIL:</p> <p>OVERHEAD RADIUS CORNER 16MM OR 18MM CARCASS 2 ADJ SHELF</p> <p>TO BE SPECIFIED:</p> <p>HEIGHT WIDTH DEPTH RADIUS CARCASS SIZE</p>

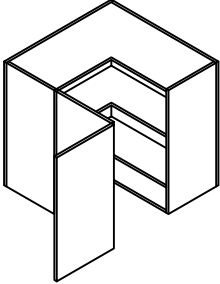
OVERHEAD ANGLE CORNER	CODE: OHAC
	<p>DETAIL:</p> <p>OVERHEAD ANGLE CORNER 16MM OR 18MM CARCASS 2 SHELF</p> <p>TO BE SPECIFIED:</p> <p>HEIGHT WIDTH DEPTH CARCASS SIZE ANGLE LENGTH</p>

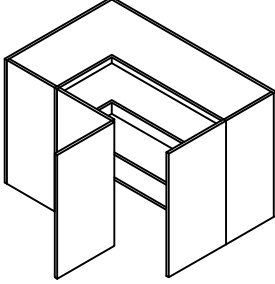
THE CUTTINGEDGE

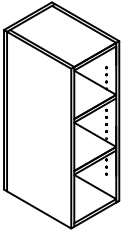
OVERHEAD CABINETS

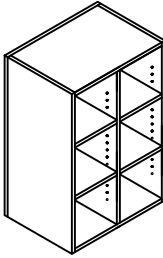
OVERHEAD OPEN	CODE: WO
	<p>DETAIL:</p> <p>OVERHEAD OPEN 16MM OR 18MM CARCASS</p> <p>TO BE SPECIFIED:</p> <p>HEIGHT WIDTH DEPTH CARCASS SIZE</p>

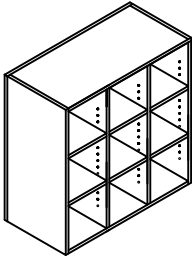
OVERHEAD CORNER OPEN	CODE: WCO
	<p>DETAIL:</p> <p>OVERHEAD CORNER OPEN 16MM OR 18MM CARCASS</p> <p>TO BE SPECIFIED:</p> <p>HEIGHT WIDTH DEPTH CARCASS SIZE</p>

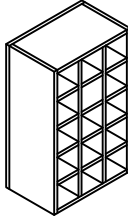
OVERHEAD CORNER 2 DOOR	CODE: WC-2R
	<p>CODE: WC-2L</p> <p>DETAIL:</p> <p>OVERHEAD CORNER 2 DOOR 16MM CARCASS 2 DOORS 2 ADJ SHELF</p> <p>TO BE SPECIFIED:</p> <p>HEIGHT WIDTH DEPTH DOOR TYPE L/H OR R/H HINGE</p>

OVERHEAD CORNER 3 DOOR	CODE: WC-3R
	<p>CODE: WC-3L</p> <p>DETAIL:</p> <p>OVERHEAD CORNER 3 DOOR 16MM CARCASS 3 DOORS 2 ADJ SHELF</p> <p>TO BE SPECIFIED:</p> <p>HEIGHT WIDTH DEPTH DOOR TYPE 2 DOOR L/H OR R/H HINGE</p>

OVERHEAD OPEN 2 ADJ SHELVES	CODE: WO-2
	<p>DETAIL:</p> <p>OVERHEAD OPEN 2 ADJ SHELVES 16MM OR 18MM CARCASS 2 SHELVES</p> <p>TO BE SPECIFIED:</p> <p>HEIGHT WIDTH DEPTH CARCASS SIZE</p>

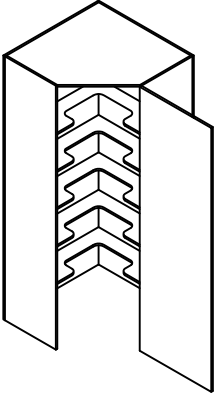
OVERHEAD OPEN 1 DIVIDER 4 ADJ SHELVES	CODE: WO-4-1
	<p>DETAIL:</p> <p>OVERHEAD OPEN 1 DIVIDER 4 ADJ SHELVES 16MM OR 18MM CARCASS 1 DIVIDER 4 SHELVES</p> <p>TO BE SPECIFIED:</p> <p>HEIGHT WIDTH DEPTH CARCASS SIZE</p>

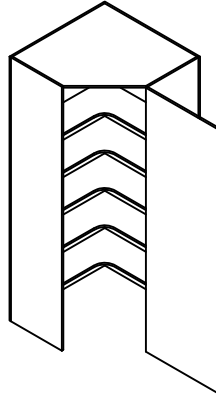
OVERHEAD OPEN 2 DIVIDER 6 ADJ SHELVES	CODE: WO-6-2
	<p>DETAIL:</p> <p>OVERHEAD OPEN 2 DIVIDER 6 ADJ SHELVES 16MM OR 18MM CARCASS 2 DIVIDER 6 SHELVES</p> <p>TO BE SPECIFIED:</p> <p>HEIGHT WIDTH DEPTH CARCASS SIZE</p>

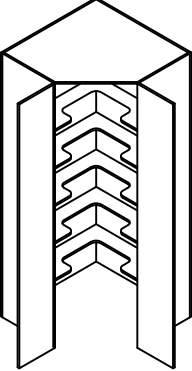
WINE RACK	CODE: WO-3-5
	<p>DETAIL:</p> <p>OVERHEAD WINE RACK 16MM OR 18MM CARCASS 5*3 PIGEON HOLES</p> <p>TO BE SPECIFIED:</p> <p>HEIGHT WIDTH DEPTH CARCASS SIZE</p>

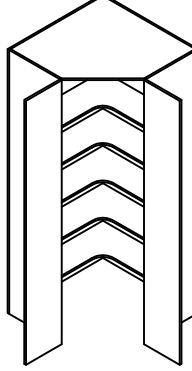
THE CUTTINGEDGE

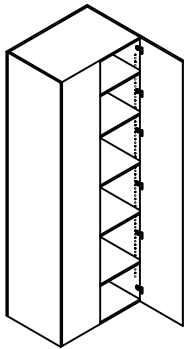
TALL CABINETS

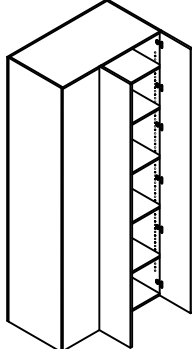
PANTRY CORNER 1 DOOR 5 SHAPED SHELVES	CODE: PC-1RSS
	CODE: PC-1LSS
	DETAIL: PANTRY CORNER 1 DOOR 16MM CARCASS 1 DOOR 5 SHAPED SHELVES TO BE SPECIFIED: HEIGHT WIDTH DEPTH DOOR TYPE L/H OR R/H HINGE

PANTRY CORNER 1 DOOR 5 SHELVES	CODE: PC-1R
	CODE: PC-1L
	DETAIL: PANTRY CORNER 1 DOOR 16MM CARCASS 1 DOOR 5 SHELVES TO BE SPECIFIED: HEIGHT WIDTH DEPTH DOOR TYPE L/H OR R/H HINGE

PANTRY CORNER 2 DOOR 5 SHAPED SHELVES	CODE: PC-2SS
	DETAIL: PANTRY CORNER 2 DOOR 16MM CARCASS 2 DOORS 5 SHAPED SHELVES TO BE SPECIFIED: HEIGHT WIDTH DEPTH DOOR TYPE

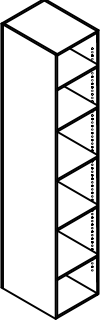
PANTRY CORNER 2 DOOR 5 SHELVES	CODE: PC-2
	CODE: PC-1L
	DETAIL: PANTRY CORNER 2 DOOR 16MM CARCASS 2 DOORS 5 SHELVES TO BE SPECIFIED: HEIGHT WIDTH DEPTH DOOR TYPE

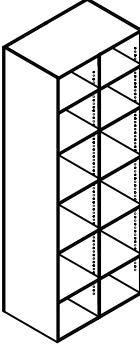
PANTRY CORNER BLIND 1 DOOR L/H OR R/H HINGE	CODE: PBL-1R
	CODE: PBL-1L
	DETAIL: PANTRY CORNER BLIND 1 DOOR 16MM CARCASS 1 DOOR 5 SHELVES TO BE SPECIFIED: HEIGHT WIDTH DEPTH DOOR TYPE L/H OR R/H HINGE BLIND PANEL SIDE

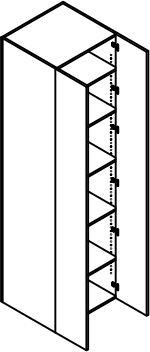
PANTRY CORNER BLIND 2 DOOR	CODE: PBL-2
	DETAIL: PANTRY CORNER BLIND 2 DOOR 16MM CARCASS 2 DOORS 5 SHELVES TO BE SPECIFIED: HEIGHT WIDTH DEPTH DOOR TYPE BLIND PANEL SIDE

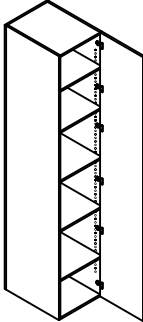
THE CUTTINGEDGE

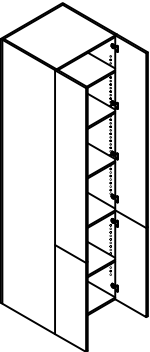
TALL CABINETS

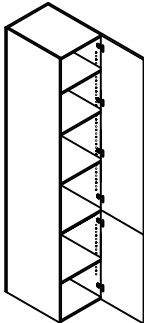
PANTRY OPEN CASE	CODE: PO-5
	<p>DETAIL:</p> <p>PANTRY OPEN CASE 16MM OR 18MM CARCASS 5 SHELVES</p> <p>TO BE SPECIFIED:</p> <p>HEIGHT WIDTH DEPTH</p>

PANTRY OPEN CASE 1 DIVIDER	CODE: PO-5-1
	<p>DETAIL:</p> <p>PANTRY OPEN CASE 16MM OR 18MM CARCASS 1 DIVIDER 5 SHELVES</p> <p>TO BE SPECIFIED:</p> <p>HEIGHT WIDTH DEPTH</p>

PANTRY 2 DOOR 5 SHELVES	CODE: P2
	<p>DETAIL:</p> <p>PANTRY 2 DOOR 16MM CARCASS 2 DOORS 5 SHELVES</p> <p>TO BE SPECIFIED:</p> <p>HEIGHT WIDTH DEPTH DOOR TYPE</p>

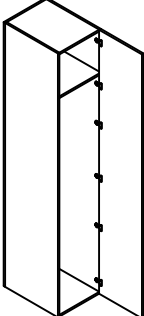
PANTRY 1 DOOR 5 SHELVES L/H OR R/H SHELVES	CODE: P1-R CODE: P1-L
	<p>DETAIL:</p> <p>PANTRY 1 DOOR 16MM CARCASS 1 DOOR 5 SHELVES</p> <p>TO BE SPECIFIED:</p> <p>HEIGHT WIDTH DEPTH DOOR TYPE L/H OR R/H HINGE</p>

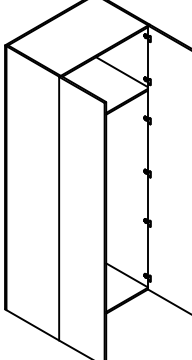
PANTRY 4 DOOR 1 FIXED SHELF	CODE: PFS-4
	<p>DETAIL:</p> <p>PANTRY 4 DOOR 1 FIXED SHELF 16MM CARCASS 4 DOORS 1 FIXED SHELF 4 ADJ SHELVES</p> <p>TO BE SPECIFIED:</p> <p>HEIGHT WIDTH DEPTH DOOR TYPE</p>

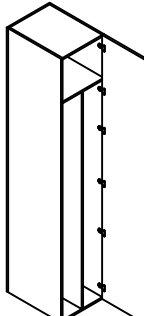
PANTRY 2 DOOR 1 FIXED SHELF	CODE: PFS-2R CODE: PFS-2L
	<p>DETAIL:</p> <p>PANTRY CORNER BLIND 2 DOOR 16MM CARCASS 2 DOORS 1 FIXED SHELF 4 ADJ SHELVES</p> <p>TO BE SPECIFIED:</p> <p>HEIGHT WIDTH DEPTH DOOR TYPE L/H OR R/H HINGE</p>

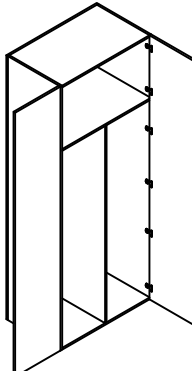
THE CUTTINGEDGE

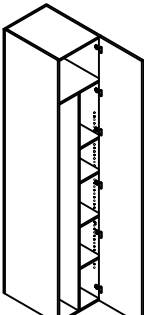
WARDROBES

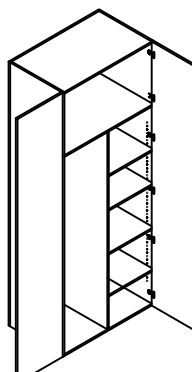
WARDROBE 1 DOOR 1 FIXED SHELF L/H OR R/H HINGE	CODE: WR-1R CODE: WR-1L
	<p>DETAIL:</p> <p>WARDROBE 1 DOOR 1 FIXED SHELF 16MM CARCASS 1 DOOR 1 FIXED SHELF</p> <p>TO BE SPECIFIED:</p> <p>HEIGHT WIDTH DEPTH DOOR TYPE L/H OR R/H HINGE</p>

WARDROBE 2 DOORS 1 FIXED SHELF	CODE: WR-2
	<p>DETAIL:</p> <p>WARDROBE 2 DOORS 1 FIXED SHELF 16MM CARCASS 2 DOORS 1 FIXED SHELF</p> <p>TO BE SPECIFIED:</p> <p>HEIGHT WIDTH DEPTH DOOR TYPE</p>

WARDROBE 1 DOOR 1 FIXED SHELF 1 DIV L/H OR R/H HINGE	CODE: WR-1-1R CODE: WR-1-1L
	<p>DETAIL:</p> <p>WARDROBE 1 DOOR 1 FIXED SHELF 16MM CARCASS 1 DOOR 1 DIVIDER 1 FIXED SHELF</p> <p>TO BE SPECIFIED:</p> <p>HEIGHT WIDTH DEPTH DOOR TYPE L/H OR R/H HINGE</p>

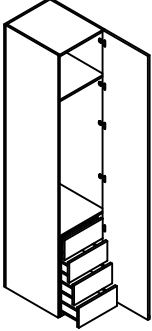
WARDROBE 2 DOORS 1 FIXED SHELF 1 DIVIDER	CODE: WR-2-1
	<p>DETAIL:</p> <p>WARDROBE 1 DOOR 1 FIXED SHELF 16MM CARCASS 2 DOORS 1 DIVIDER 1 FIXED SHELF</p> <p>TO BE SPECIFIED:</p> <p>HEIGHT WIDTH DEPTH DOOR TYPE</p>

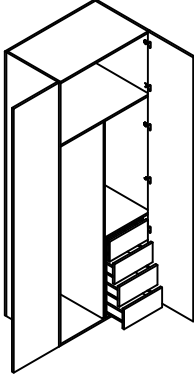
WARDROBE 1 DOOR 1 FIXED SHELF 1 DIV 4 ADJ SHELVES	CODE: WR-1-1ASR CODE: WR-1-1ASL
	<p>DETAIL:</p> <p>WARDROBE 1 DOOR 16MM CARCASS 1 DOOR 1 DIVIDER 1 FIXED SHELF 4 ADJ SHELVES</p> <p>TO BE SPECIFIED:</p> <p>HEIGHT WIDTH DEPTH DOOR TYPE L/H OR R/H HINGE</p>

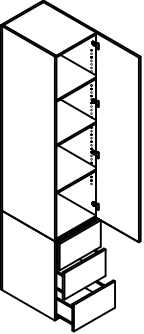
WARDROBE 2 DOORS 1 FIXED SHELF 1 DIV 4 ADJ SHELVES	CODE: WR-1-1AS
	<p>DETAIL:</p> <p>WARDROBE 1 DOOR 16MM CARCASS 2 DOORS 1 DIVIDER 1 FIXED SHELF 4 ADJ SHELVES</p> <p>TO BE SPECIFIED:</p> <p>HEIGHT WIDTH DEPTH DOOR TYPE</p>

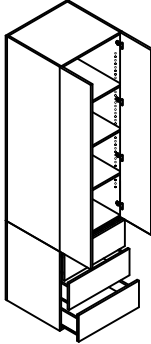
THE CUTTINGEDGE

WARDROBES

WARDROBE 1 DOOR 1 FIXED SHELF SET OF DRAWS	CODE: WR-1IDR CODE: WR-1IDL
	<p>DETAIL:</p> <p>WARDROBE 1 DOOR 1 FXD SHELF 4 DRAWS 16MM CARCASS 1 DOOR 1 FIXED SHELF 4 INTERNAL DRAWS</p> <p>TO BE SPECIFIED:</p> <p>HEIGHT WIDTH DEPTH DOOR TYPE L/H OR R/H HINGE</p>

WARDROBE 2 DOORS 1 FIXED SHELF SET OF DRAWS	CODE: WR-2IDL CODE: WR-2IDL
	<p>DETAIL:</p> <p>WARDROBE 2 DOORS 1 FXD SHELF 4 DRAWS 16MM CARCASS 2 DOORS 1 FIXED SHELF 4 INTERNAL DRAWS</p> <p>TO BE SPECIFIED:</p> <p>HEIGHT WIDTH DEPTH DOOR TYPE L/H OR R/H SIDE DRAWS</p>

WARDROBE 1 DOOR 3 ADJ SHELVES SET OF DRAWS	CODE: WR-1SDR CODE: WR-1SDL
	<p>DETAIL:</p> <p>WARDROBE 1 DOOR 3 SHELVES 4 DRAWS 16MM CARCASS 1 DOOR 3 ADJ SHELVES 3 DRAWS</p> <p>TO BE SPECIFIED:</p> <p>HEIGHT WIDTH DEPTH DOOR TYPE L/H OR R/H HINGE</p>

WARDROBE 2 DOORS 3 ADJ SHELVES SET OF DRAWS	CODE: WR-2SD
	<p>DETAIL:</p> <p>WARDROBE 2 DOORS 3 SHELVES 4 DRAWS 16MM CARCASS 2 DOORS 3 ADJ SHELVES 3 DRAWS</p> <p>TO BE SPECIFIED:</p> <p>HEIGHT WIDTH DEPTH DOOR TYPE L/H OR R/H SIDE DRAWS</p>